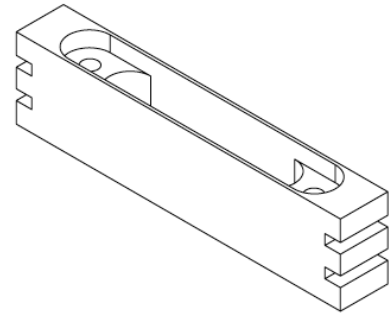
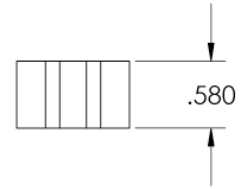
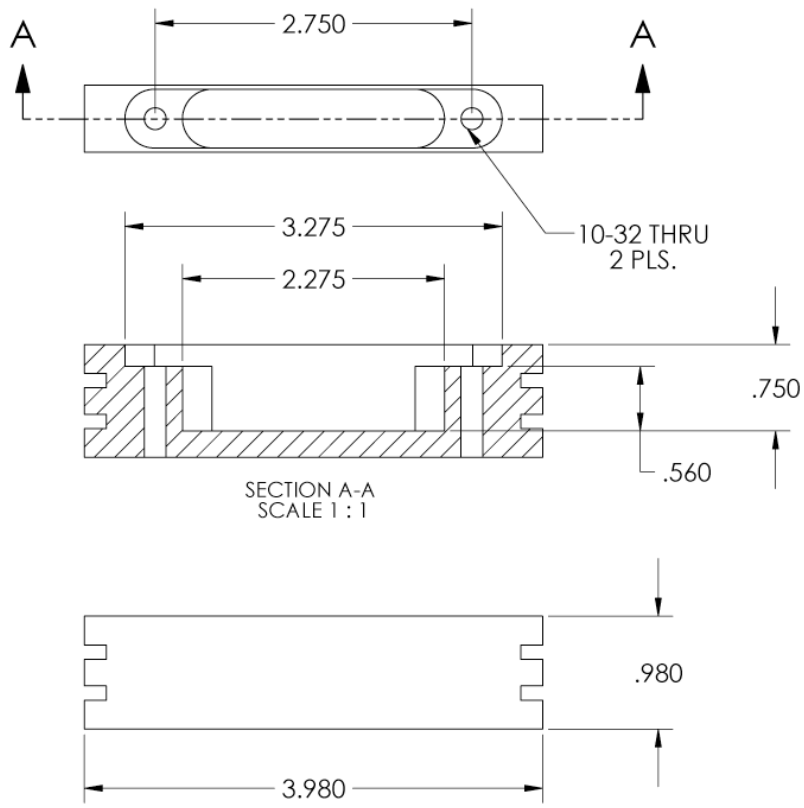


THIS DOCUMENT CONTAINS CONFIDENTIAL PROPRIETARY INFORMATION. DO NOT DISCLOSE TO OR DUPLICATE FOR OTHERS EXCEPT AS AUTHORIZED BY PARASOL AVIATION LTD.

REVISIONS		
REV.	DESCRIPTION	DATE
0	ORIGINAL RELEASE	7-7-02
A	NAME CHANGE; WAS RECTANGLE-2X	9-18-05



SECTION A-A  
SCALE 1 : 1

INTERPRET DRAWING PER ANSI Y 14.5 - 1994	UNLESS OTHERWISE SPECIFIED: DIMENSIONS ARE IN INCHES	DO NOT SCALE DRAWING	
		APPROVALS	DATE
THIRD ANGLE PROJECTION	TOLERANCES inch angle .XX = ±.015 X = ±.50° .XXX = ±.005	DRAWN R.LEE	7-1-02
MATERIAL 6061-T651 ALUM.	FINISH ---	DESIGNER W.LEE	6-30-02
		ENG APPR. W.LEE	7-5-02
		MFG APPR. A.V	7-7-02
		Q.A. ---	---

**Parasol Aviation Ltd.**

10444 McVine Ave.  
Sunland CA. 91040  
818-352-3322 Phone  
818-352-3085 Fax  
www.parasolaviation.com  
info@parasolaviation.com

SIZE **B** DWG NO. **HB-2X1** DWG REV. **A**

SCALE SHEET 1 of 1