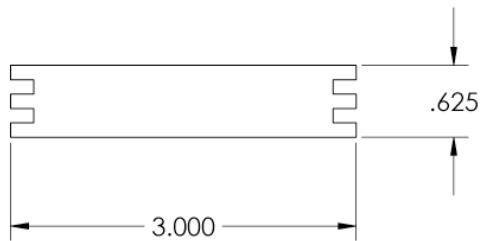
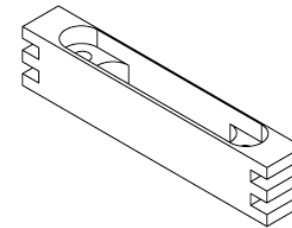
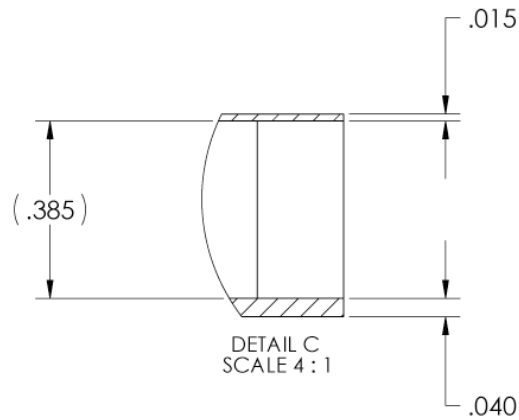
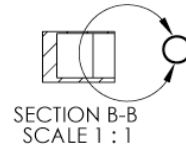
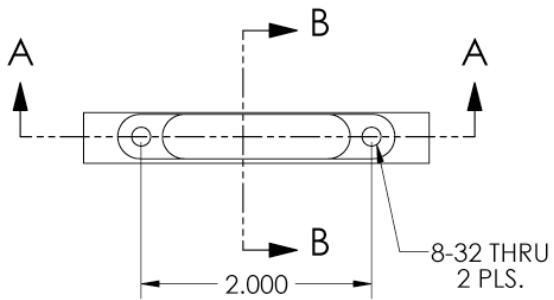


THIS DOCUMENT CONTAINS CONFIDENTIAL PROPRIETARY INFORMATION. DO NOT DISCLOSE TO OR DUPLICATE FOR OTHERS EXCEPT AS AUTHORIZED BY PARASOL AVIATION LTD.

REVISIONS		
REV.	DESCRIPTION	DATE
0	ORIGINAL RELEASE	1-11-03
A	NAME CHANGE; WAS RECTANGLE-1X	9-18-05



INTERPRET DRAWING PER
ANSI Y 14.5 - 1994

UNLESS OTHERWISE SPECIFIED,
DIMENSIONS ARE IN INCHES

DO NOT SCALE DRAWING

THIRD ANGLE PROJECTION



TOLERANCES
inch angle
XX = ±.015 X = ±.50°
XXX = ±.005

MATERIAL
2024-T351 ALUM

FINISH ---

APPROVALS		DATE
DRAWN	R.LEE	1-04-03
DESIGNER	W.LEE	1-4-03
ENG APPR.	W.LEE	1-09-03
MFG APPR.	A.V	1-11-03
Q.A.	---	---

Parasol Aviation Ltd.

10444 McVine Ave.
Sunland CA. 91040
818-352-3322 Phone
818-352-3085 Fax
www.parasolaviation.com
info@parasolaviation.com

SIZE **B** DWG NO. **HB-1X1** DWG REV. **A**

SCALE SHEET 1 of 1