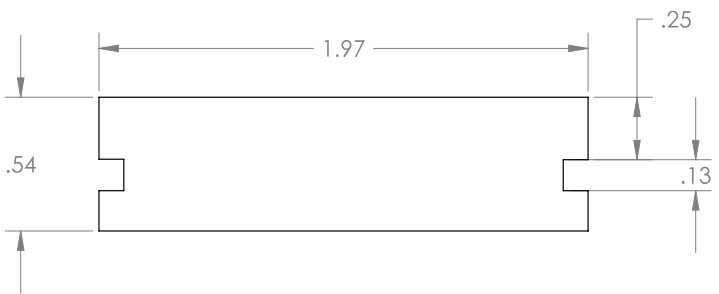
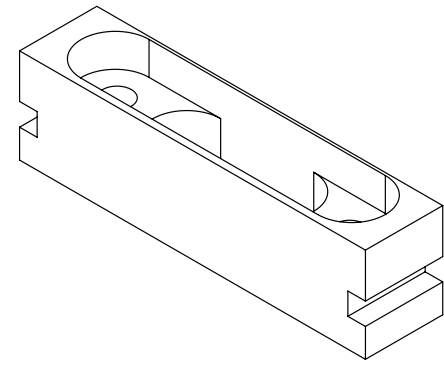
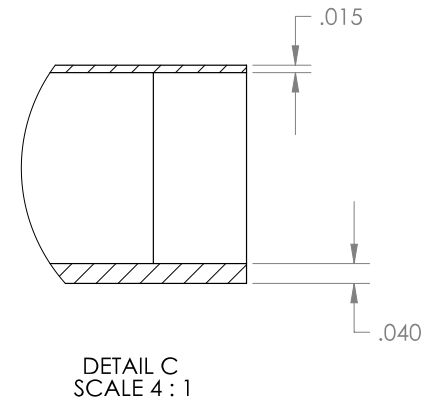
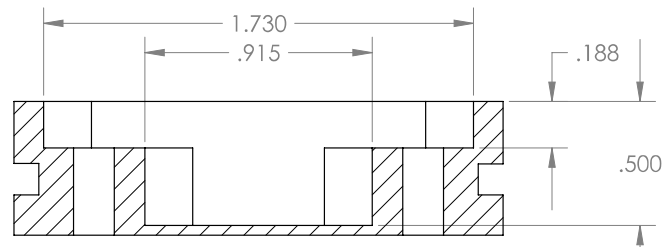
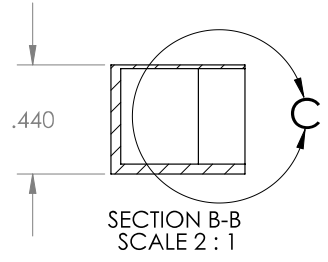
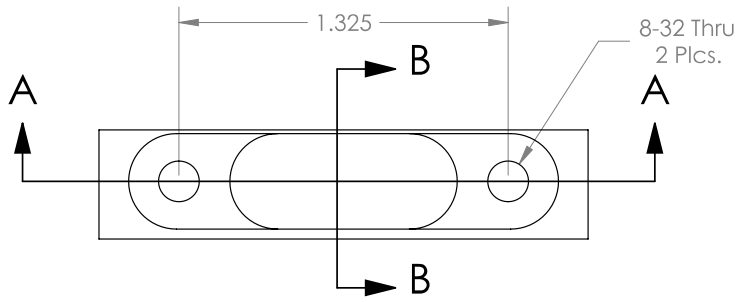


THIS DOCUMENT CONTAINS CONFIDENTIAL PROPRIETARY INFORMATION. DO NOT DISCLOSE TO OR DUPLICATE FOR OTHERS EXCEPT AS AUTHORIZED BY PARASOL AVIATION LTD..

REVISIONS		
REV.	DESCRIPTION	DATE
0	ORIGINAL RELEASE	6/12/2008



INTERPRET DRAWING PER ANSI Y 14.5 - 1994	UNLESS OTHERWISE SPECIFIED: DIMENSIONS ARE IN INCHES	DO NOT SCALE DRAWING														
THIRD ANGLE PROJECTION	TOLERANCES inch angle .XX = ±.015 X = ±.50° .XXX = ±.005	APPROVALS	DATE													
		<table border="1"> <tr> <td>DRAWN</td> <td>R.LEE</td> <td>6/13/2008</td> </tr> <tr> <td>DESIGNER</td> <td>W.LEE</td> <td>6/11/2008</td> </tr> <tr> <td>ENG APPR.</td> <td>W.LEE</td> <td>6/12/2008</td> </tr> <tr> <td>MFG APPR.</td> <td>AV</td> <td>6/12/2008</td> </tr> <tr> <td>Q.A.</td> <td>---</td> <td>---</td> </tr> </table>	DRAWN	R.LEE	6/13/2008	DESIGNER	W.LEE	6/11/2008	ENG APPR.	W.LEE	6/12/2008	MFG APPR.	AV	6/12/2008	Q.A.	---
DRAWN	R.LEE	6/13/2008														
DESIGNER	W.LEE	6/11/2008														
ENG APPR.	W.LEE	6/12/2008														
MFG APPR.	AV	6/12/2008														
Q.A.	---	---														
MATERIAL	6061-T651 ALUM	SIZE	B													
FINISH	---	DWG NO.	HB-104													
		SCALE														

Parasol Aviation Ltd.

10444 McVine Ave.
Sunland CA. 91040
818-352-3322 Phone
818-352-3085 Fax
www.parasolaviation.com
info@parasolaviation.com

SIZE B DWG NO. HB-104 DWG REV 0

SHEET 1 OF 1