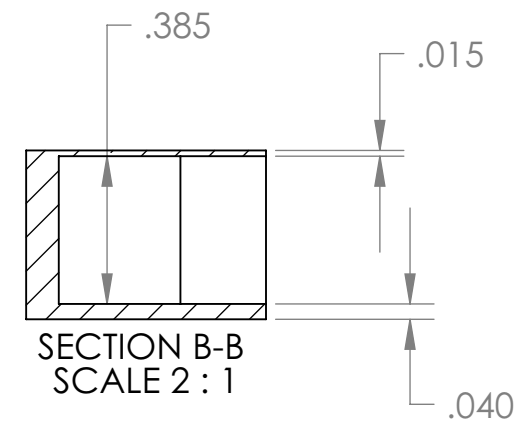
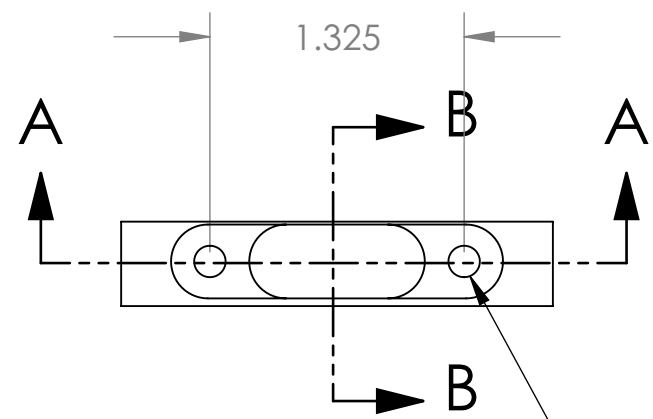
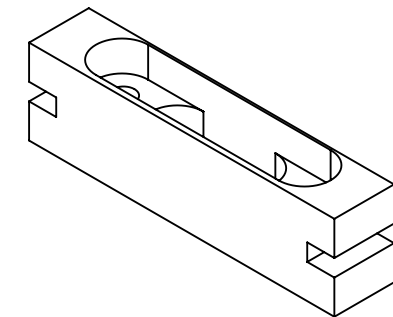
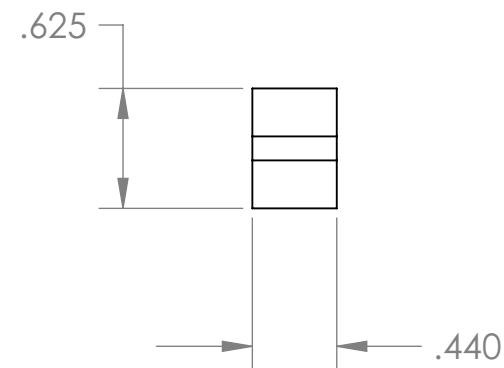
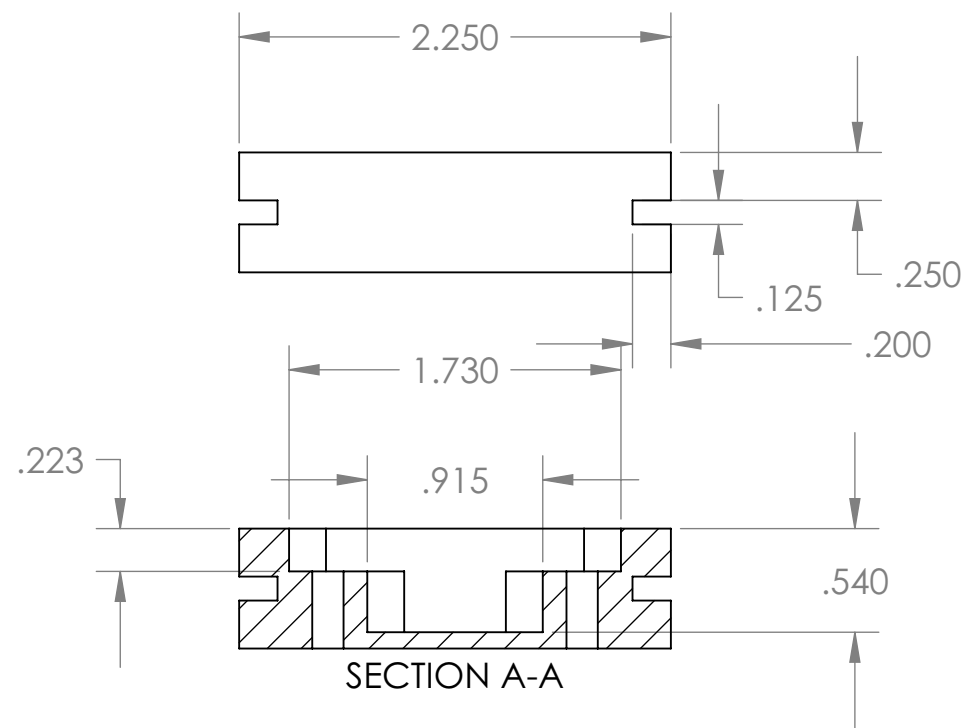


THIS DOCUMENT CONTAINS CONFIDENTIAL PROPRIETARY INFORMATION. DO NOT DISCLOSE TO OR DUPLICATE FOR OTHERS EXCEPT AS AUTHORIZED BY PARASOL AVIATION LTD..

REVISIONS		
REV.	DESCRIPTION	DATE
0	ORIGINAL RELEASE	8-31-07



8-32 thru  
2 PLS.

INTERPRET DRAWING PER ANSI Y 14.5 - 1994	UNLESS OTHERWISE SPECIFIED: DIMENSIONS ARE IN INCHES	DO NOT SCALE DRAWING	
THIRD ANGLE PROJECTION	TOLERANCES inch .XX = ±.015 .XXX = ±.005 angle X = ± .50°	APPROVALS	DATE
	MATERIAL 6061-T6 Alum.	DRAWN R.LEE	4/28/2008
FINISH ---		DESIGNER W.LEE	8/31/2007
		ENG. APPR. W.LEE	8/31/2007
		MFG APPR. AV	8/31/2007
		Q.A. ---	---

*Parasol Aviation Ltd.*

**10444 McVine Ave.  
Sunland CA. 91040  
818-352-3322 Phone  
818-352-3085 Fax  
www.parasolaviation.com  
info@parasolaviation.com**

	SIZE <b>B</b>	DWG NO. HB-103	DWG REV. 0
SCALE	SHEET 1 OF 1		